

DESIGN APTITUDE TEST 2019
UNDERGRADUATE

Total No. of Pages: 15

Permitted Time: 3Hours

TOTAL MARKS -100

Kindly read the instructions carefully given on the next page before attempting the questions.
To be filled by the student.

CANDIDATE ID :

CANDIDATE NAME :

TEST CENTRE :

<input type="checkbox"/> AHMEDABAD	<input type="checkbox"/> BENGALURU	<input type="checkbox"/> BHOPAL	<input type="checkbox"/> CHANDIGARH	<input type="checkbox"/> CHENNAI
<input type="checkbox"/> DELHI	<input type="checkbox"/> GUWAHATI	<input type="checkbox"/> JAIPUR	<input type="checkbox"/> HYDERABAD	<input type="checkbox"/> KOLKATA
<input type="checkbox"/> LUCKNOW	<input type="checkbox"/> MUMBAI	<input type="checkbox"/> NAGPUR	<input type="checkbox"/> PATNA	<input type="checkbox"/> PUNE
<input type="checkbox"/> DEHRADUN	<input type="checkbox"/> INDORE	<input type="checkbox"/> KOCHI	<input type="checkbox"/> RAIPUR	<input type="checkbox"/> NASHIK
<input type="checkbox"/> VARANASI	<input type="checkbox"/> THIRUVANANTHAPURAM	<input type="checkbox"/> RANCHI	<input type="checkbox"/> BHUBANESWAR	

*Please read the instructions CAREFULLY on the next page.
DAT Paper is sealed. Do not break/open until asked to do so.

INVIGILATOR'S SIGNATURE

FOR OFFICIAL USE ONLY

Marks obtained	Examiner's signature
----------------	----------------------

INSTRUCTIONS TO THE CANDIDATES:

You will be informed when to start the examination by the invigilator.

Read these instructions carefully before attempting the questions.

1. Write your Name, Candidate ID number and the Examination Center in the space provided on the cover page of this answer book as well as on all the pages of answerbook.
 - a. No distinctive mark of any sort is to be put anywhere in the answer book.
 - b. Violation of these instructions or adoption of malpractice in examination hall will lead to disqualification.
 - c. Please make sure you have signed the registration sheet provided by the invigilator **to mark your presence.**
 - d. Make sure that you have written your Candidate ID Number and signed in all pages in the space provided.
2. Write your answers ONLY IN ENGLISH.
3. Candidates shall not be allowed to leave the examination hall till after completion of at least one and half hours (90 Minutes) from the commencement of the examination.
4. Undergraduate DAT Paper consists of 21 Questions.
 - a. The Question paper contains two parts, PART A (50 marks – Sixteen questions) and PART B (50 marks – five questions).
5. All questions are compulsory.
6. Write or draw your answers only in the space provided for respective questions.
 - a. . Space has been provided against each question for a FINAL ANSWER.
 - b. Extra rough work sheets and backside of the paper to be used for ROUGH WORK ONLY.
7. **DO NOT REMOVE ANY SHEET from this answer book.**
8. Before leaving the examination hall, kindly submit this question-cum-answer paper to the invigilator.
9. Use of stationery: Use Ball Pen (Blue Ink), Pencils (B, 2B, 4B, 8B), colour pencil set & Eraser only.
10. DAT Paper will be collected at the end of the test / examination.
11. Maximum Duration for the completion of the test is 180 minutes (3 hrs.).

PART – A

No. of Questions	Marks of each question	Total marks	Total marks 50
1 - 10	2	20	
11 - 16	5	30	

QUESTION NO. 1

02 MARKS

Which public signage is this?

(Tick the correct answer below)



- A. Ionizing radiation
- B. Non Ionizing radiation
- C. Air radiation
- D. Fan

QUESTION NO.2

02 MARKS

Leading refers to

(Tick the correct answer below)

- A. Space between lines of type.
- B. Space between two letters.
- C. Subset of game development
- D. Relation to grey scale.

QUESTION NO.3

02 MARKS

The human eye is able to sense wavelengths of light

(Tick the correct answer below)

- A. 380 nm to about 780nm
- B. 380 nm to about 720 nm
- C. 360nm to about 740nm
- D. 350 nm to about 7290nm

QUESTION NO.4

02 MARKS

A circle is divided into 12 equal parts. What is the number of degrees in each arc?

(Tick the correct answer below)

- A. 40°
- B. 30°
- C. 35°
- D. 36°

QUESTION NO.5

02 MARKS

Change MILK to WINE (one letter at a time), in four steps

MILK

—

—

—

WINE

QUESTION NO. 6

02 MARKS

In “Fashion” colors, the color trends of consumer marketing are
(Tick the correct answer below)

- A. Transitory and cyclical.
- B. Stable and more lasting.
- C. Adapted for prolonged period.
- D. Independent of forecast

QUESTION NO.7

02 MARKS

What is the meaning of an “Angarkha”?
(Tick the correct answer below)

- A. body and ash
- B. a body fitted garment
- C. coal
- D. a dance form

QUESTION NO. 8

02 MARKS

The National Flag of India is designed by
(Tick the correct answer below)

- A. Bankim Chandra Chattopadhyay
- B. Pingali Venkayya
- C. M K Gandhi
- D. Rabindranath Tagore

QUESTION NO. 9

02 MARKS

If the numbers of the following three dogs are as below, what will be the number of Fourth dog?
If Consonant is 1 & Vowel is 4. (Tick the correct answer below)

Corgi – 11, Alsatian – 20, Terrier – 16, Wolfhound-

- A. 19
- B. 18
- C. 16
- D. 17

QUESTION NO.10

02 MARKS

Color temperature in lamps is measured in degrees
(Tick the correct answer below)

- A. Kelvin
- B. Newton
- C. Archimedean
- D. Bernoulli

QUESTION NO. 11

05 MARKS

Arrange the android logo versions below, from past to present

--	--	--	--	--	--	--

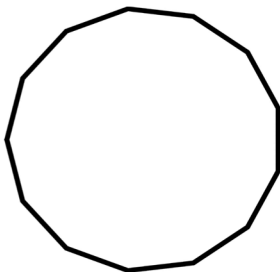


F	C	A	D	G	E	B
---	---	---	---	---	---	---

QUESTION NO. 12

05 MARKS

What is the geometrical name for the polygon below? (Tick the correct answer below)
And draw other two/three below mentioned polygons in the given boxes.



- a) Dodecagon
- b) Nonagon
- c) Triskaidecagon
- d) None of the above

Dodecagon	Nonagon	Triskaidecagon
-----------	---------	----------------

QUESTION NO. 13

05 MARKS

Insert the following 10 words into their correct positions below in the sentence.

Famous, hidden, people, compilers, names, hundreds, anagram, meanings, rearranging, years.

For _____ of _____
_____ have tried to find _____
in _____ the _____ of _____
_____.

QUESTION NO. 14

05 MARKS

If P=2, Q=5, R=9, A=5, G=1, H=0, B=10,

Please write the correct answer below

P+G+H-Q+A+H+R-P+Q-R+R-A+A+H+G+R+A-A+H+Q-R+A-G-H-R-Q+A+R-A+H+R+Q+A-A-R-H+G-G+H+A-R+R+A-G+B-A+Q-B+H-H+G+R+Q+B+H+A+R+Q+H+G+G+H+A-A-G+H-R+Q+R-A+R+Q+A+B+A= ?

Ans. =

QUESTION NO. 15

05 MARKS

The Interior Angles of a Pentagon is (Tick the correct answer below).

- A. 108
- B. 106
- C. 104
- D. 103

Draw (pencil rendering) an existing product form, where the Pentagon has been used/can be associated with.

QUESTION NO. 16

05 MARKS

Name the Industrial designer who designed blade-less fan.

(Tick the correct answer below & Draw one bladeless fan below with pencil which is available in the market with the name of the company)

- A. Karim Rashid
- B. Phillipse Stack
- C. Marc Newson
- D. James Dyson



PART – B

No. of Questions	Marks of each question	Total marks	Total marks 50
17 - 21	10	50	

QUESTION NO. 17

10 MARKS

PHANTOM, CULLINAN, WRAITH, MULSANNE

Which car model mentioned above, is not made by **Rolls-Royce Motor Cars Limited**.

Find out the car model; mention the name of the maker. Draw the car model (pencil rendering only) in the space below.

Name of the car model and the company (maker):

Pencil rendered drawing of the car model:

QUESTION NO. 18

10 MARKS

Connect the following words, and write a story in 10 sentences. Illustrate the story in the given box (Color rendering).

CAT – BOX – SHIP – CRAYON – BRAVE – GREEN

Story line:

Illustration:

QUESTION NO.19

10 MARKS

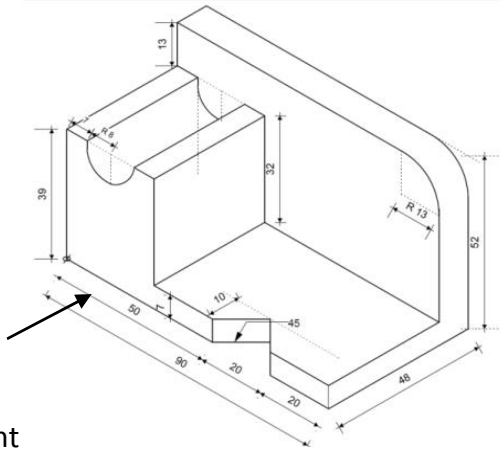
Design a piece of furniture with minimum 5 functions.
Show the different functions through sketches.

A large, empty rectangular box with a thin black border, intended for the student to draw sketches of a piece of furniture with at least five functions.

Function 1:	Function 2:
Function 3:	Function 4:
Function 5:	

QUESTION NO. 20

10 MARKS



Front

Draw the Plan, Front elevation and Right side elevation of the given object shown above, according to the measurement given. All dimensions are in mm only.

Blank area for drawing the Plan, Front elevation and Right side elevation of the object.

QUESTION NO. 21

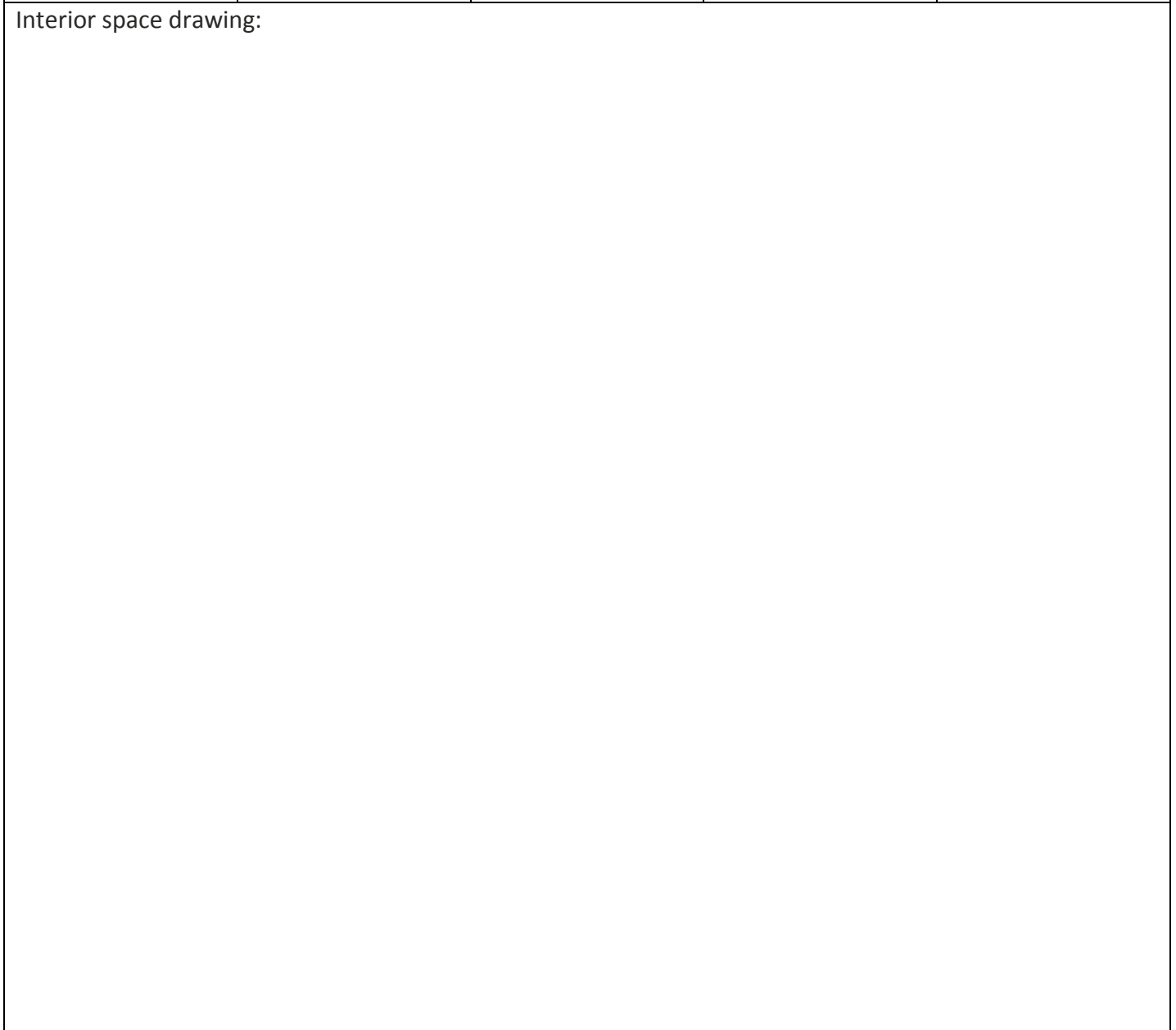
10 MARKS

Mention and Draw five different materials (with pencil) with respective textures (color rendering) used in Interior design.

Draw an interior space with the use of all these five materials below.

Material 1	Material 2	Material 3	Material 4	Material 5
Texture 1	Texture 2	Texture 3	Texture 4	Texture 5

Interior space drawing:



ROUGH WORK

ROUGH WORK